

OASE GmbH
 Tecklenburger Straße 161
 D - 48477 Hörstel
 Phone: +49(0)54 54 – 800
 Fax: +49(0)54 54 – 80 322
 info@oase-livingwater.com
 www.oase-livingwater.com

Schaumsprudler

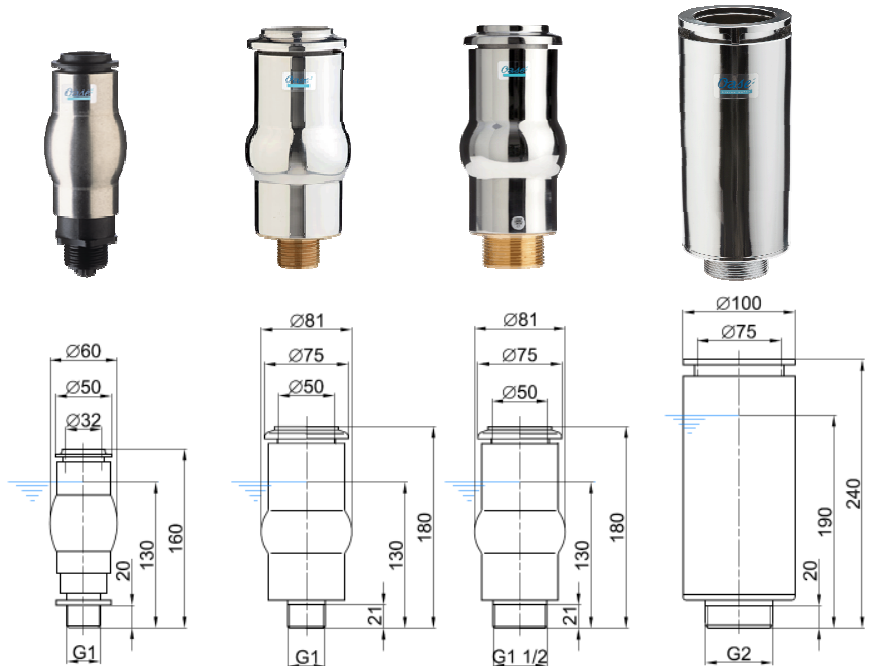
50986 / 50987
 50768 / 50984



Fresh water	Pool water	Sea water

Product characteristics at a glance:

- High-contrast, lively water pattern
- Foam / spume effect
- Trouble – free continuous operation
- Offers oxygen enrichment
- Extensively wind – stable
- Water – level independent



		Schaumsprudler 35-10 E		Schaumsprudler 55-10 E		Schaumsprudler 55-15 E		Schaumsprudler 75-20 T	
Dimensions(ØxH) [mm]		60 x 160		81 x 180		81 x 180		100 x 240	
Fountain height		DWB	DDB	DWB	DDB	DWB	DDB	DWB	DDB
		[L/min]	[bar]	[L/min]	[bar]	[L/min]	[bar]	[L/min]	[bar]
0.25	[m]	47	0.10	60	0.11				
0.50	[m]	55	0.14	84	0.21	125	0.11		
0.75	[m]	71	0.22	108	0.32	151	0.15		
1.00	[m]	80	0.28	122	0.40	176	0.19	328	0.20
1.25	[m]	89	0.34	134	0.49	198	0.24	367	0.24
1.50	[m]	97	0.40	145	0.58	217	0.28	401	0.29
1.75	[m]	104	0.46	156	0.66	235	0.33	433	0.34
2.00	[m]	111	0.52	166	0.75	252	0.38	463	0.39
2.50	[m]	123	0.65	184	0.92	282	0.48	518	0.49
3.00	[m]			200	1.09	310	0.58	567	0.58
3.50	[m]			216	1.27	335	0.67	612	0.68
4.00	[m]					359	0.77	655	0.78
4.50	[m]					381	0.87	695	0.87
5.00	[m]					402	0.97	733	0.97
6.00	[m]					441	1.16	803	1.17
7.00	[m]					477	1.36	868	1.33
8.00	[m]							928	1.56
9.00	[m]							965	1.75
10.00	[m]							1039	1.95
	[m]								
Material		Stainless steel 1.4301 (AISI 304)		Stainless steel 1.4571 (AISI 316 Ti) / Brass				Double Coated Brass	
Weight	[kg]	0.5		1.2		1.4		4.3	
Order No.		50984		50986		50987		50768	

DWB = Nozzle water demand DDB = Nozzle pressure demand

The information contained in this data sheet is the sole property of OASE GmbH. Any reproduction in part or as a whole without the written permission of OASE GmbH is prohibited.